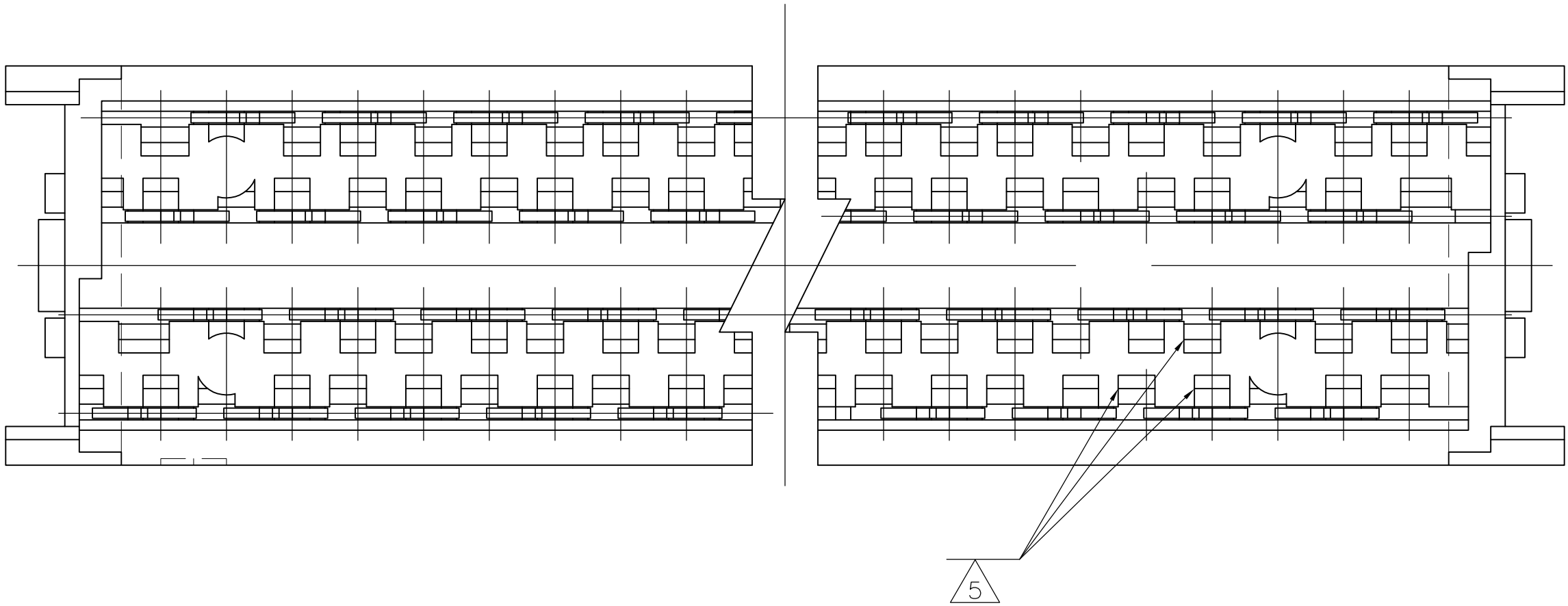
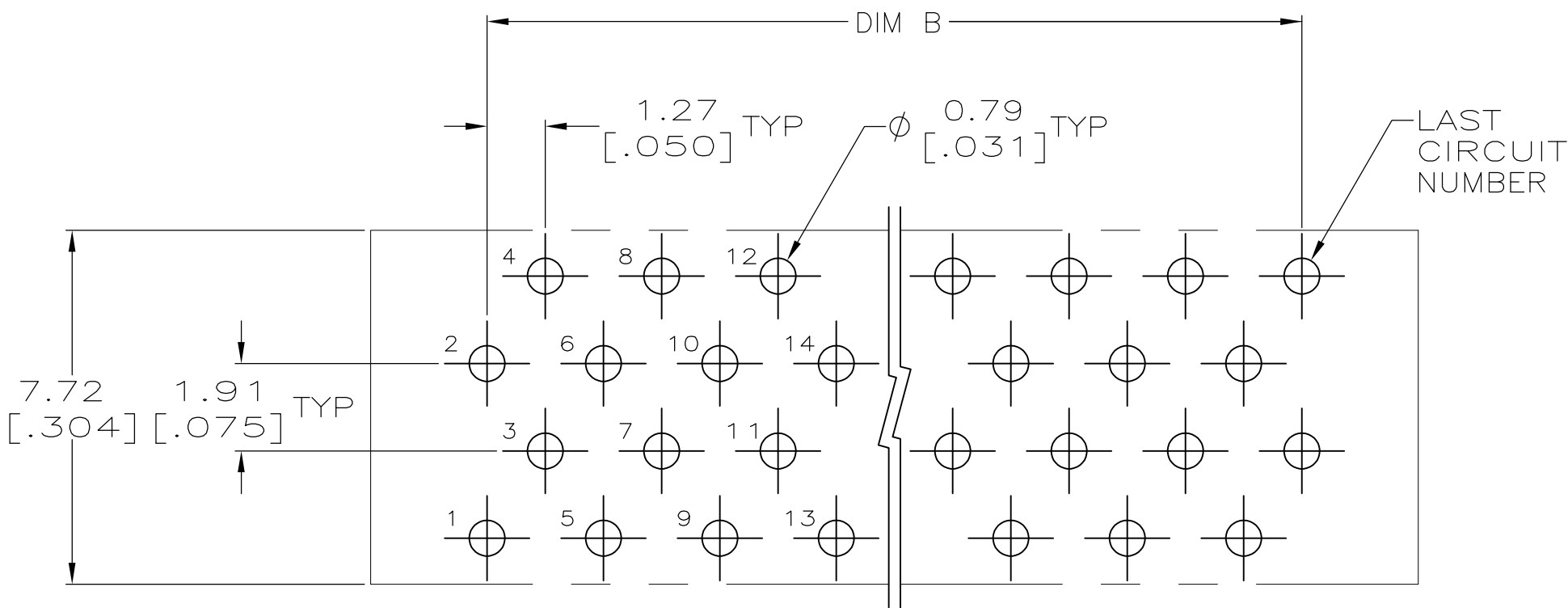
4805 (3/11)

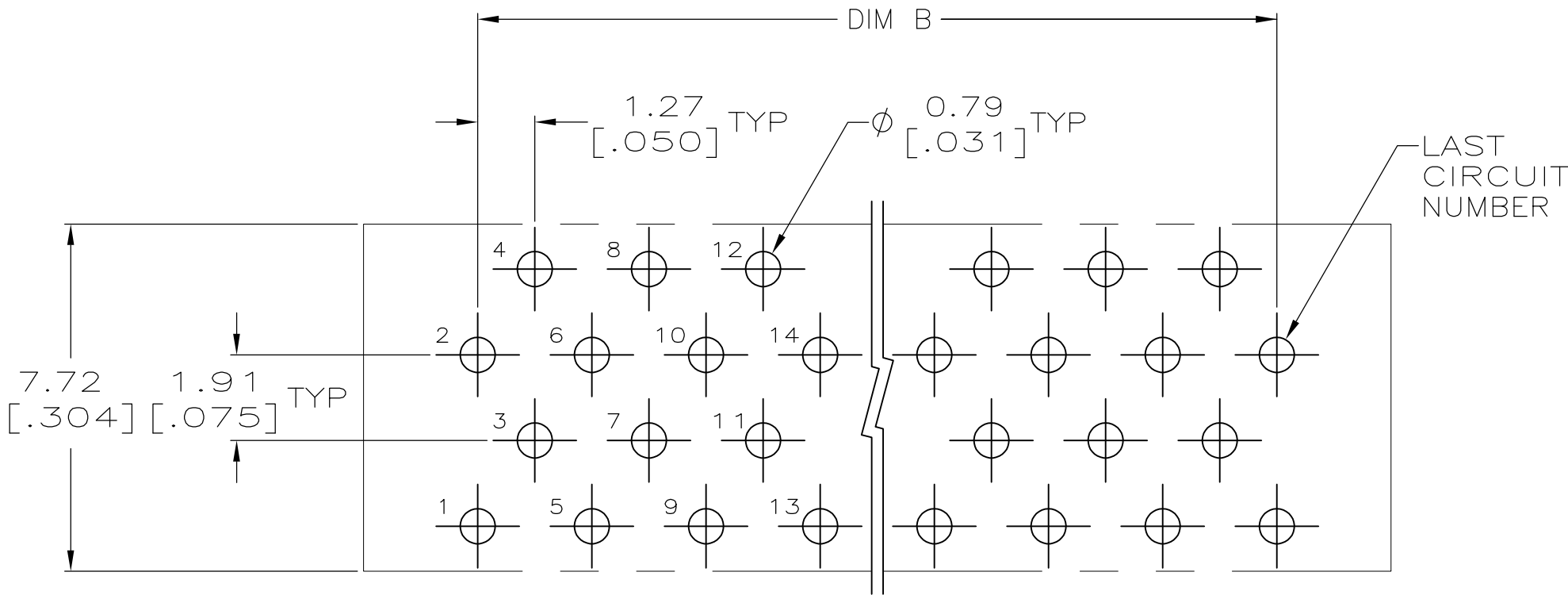
LOC	DIST	REVISIONS				
		P	LTR	DESCRIPTION	DATE	DWN
GP	00	—	—	SEE SHEET 1	—	—





VIEW A—A
(COVER REMOVED FOR CLARITY)



PRINTED CIRCUIT BOARD HOLE LAYOUT #2



PRINTED CIRCUIT BOARD HOLE LAYOUT #1

THIS DRAWING IS A CONTROLLED DOCUMENT. DIMENSIONING AND TOLERANCING PER ASME Y14.5M-2009		DWN C. ATTADIA	26NOV04	 TE Connectivity	
		CHK C. ROHDE	26NOV04		
DIMENSIONS: mm [INCHES]	TOLERANCES UNLESS OTHERWISE SPECIFIED:	APPROV M. WALMSLEY	26NOV04	NAME AMPMODU SYSTEM 50, CONNECTOR, PADDLEBOARD	
		PRODUCT SPEC			
	0. PLC ± — 1. PLC ± — 2. PLC ± — 3. PLC ± — 4. PLC ± — ANGLES ± — ± —	APPLICATION SPEC		SIZE A1	CAGE CODE 00779
		—			
MATERIAL SEE SHEET 1	FINISH SEE SHEET 1	WEIGHT —	DRAWING NO 5111595		
CUSTOMER DRAWING		SCALE 10:1		SHEET 2	OF 2
				REV E	